

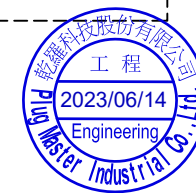
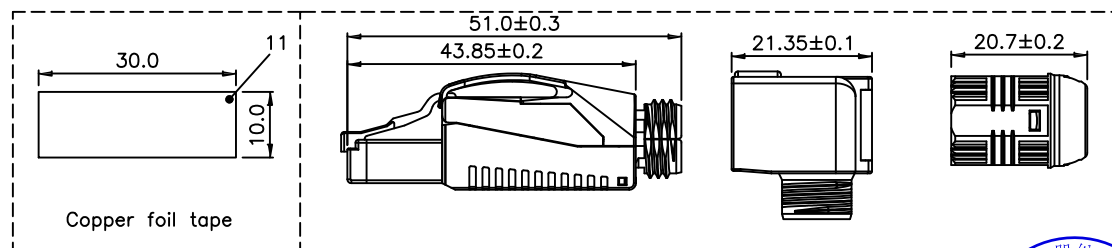
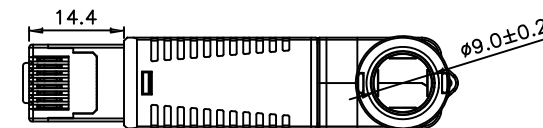
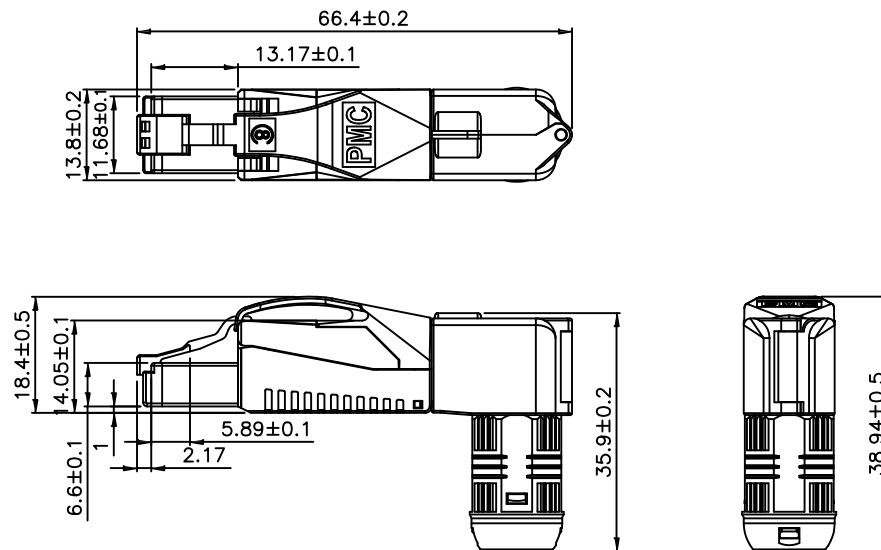
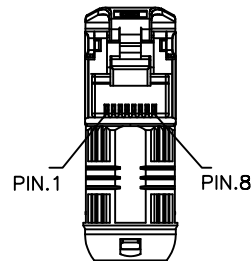
Drawing Number:P8-085-RD
Specification :

Material :

1. Extractor : PC, UL 94V-2, Coffee color(Pantone 491C).
2. Housing : Zinc die-Casting with nickel plated.
3. RJ45 plug :
 - 3-1. Housing : PC, UL 94V-2, Transparent red color(Pantone 1935C).
 - 3-2. Contact material : Phosphor bronze with 100 micro-inch nickel plated.
 - 3-3. Contact finish : Min. 50 micro-inch gold plated on surface contact area.
4. Cover : Zinc die-casting with nickel plated.
5. Wire management bar : PC, UL 94-V2, white color.
6. IDC :
 - 6-1. Housing : PC, UL 94-V2, white color.
 - 6-2. Terminal : Copper with tin plated.
7. Grounding contact : Zinc die-casting with nickel plated.
8. Boot :
 - 8-1. Housing : Zinc die-casting with nickel plated.
 - 8-2. SR : PC, UL 94V-2, transparent color.
 - 8-3. CAP : PC, UL 94V-2, black color.
9. Angle cap : Zinc die-casting with nickel plated.
10. PCB, UL 94-V0.
11. Copper foil tape.
12. Dust cap : PE, black color.

Performance :

- a. T568A & T568B wiring.
- b. Insertion force : 30N max. (IEC 60603-7-81).
- c. Retention strength : 7.7 kg between jack and plug.
- d. Operating temperature : -10°C to 60°C. (ISO/IEC 11801-9901, ANSI/TIA 568 C.2-1).
- e. Life(mating cycles) :
 - e-1. 750 cycles min. (ISO/IEC 11801, IEC 60603-7-81).
 - e-2. IDC : Suitable for 22-24AWG stranded and solid wire, min. 20 installation cycles.
- f. Suitable for cable jacket OD : 7.0-8.5mm.
- g. The mated jack should complied with IEC60603-7 and TIA-1096 Chapter 4 and 5 requirement.



A3	2023/06/14 Revised Date	3RD		Drawing	Chidy	Date	2018/07/02	UL Code	TL8P8C
A	An initial version	Unit	m/m	Checked	Chris	Date	2018/07/02	Description	
Rev	Description	Scale	1:1	Approved	Jason	Date	2018/07/02	C8 full shielded field termination plug-red,Screw-fit boot type	



Plug Master
INDUSTRIAL CO., LTD
www.plugmaster.com.tw