

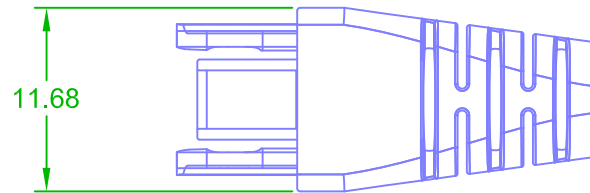
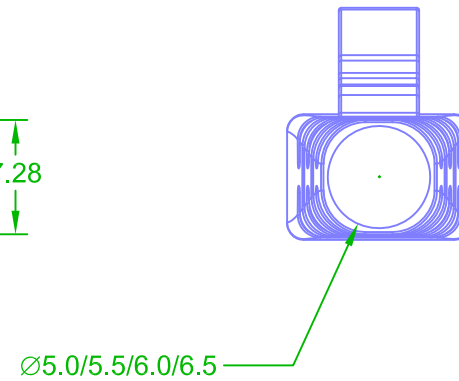
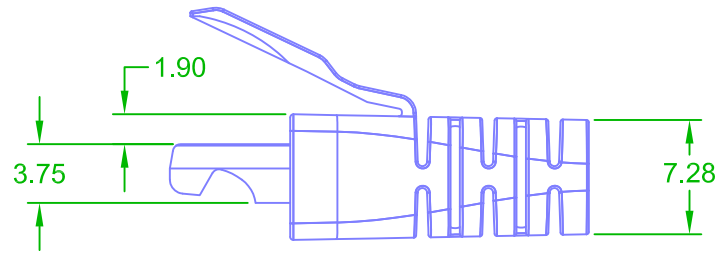
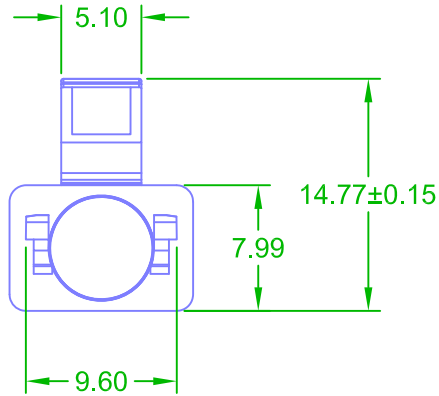
- Drawing Number: SR-032-5 R-□□□□□
- Housing Material: □UL94V-0, □UL94V-2.
 - Color Available: XX=Clear, RD=Red, OR=Orange, YL=Yellow, GN=Green, BL=Blue, PU=Purple, BK=Black
 - Inner Diameter Available : 5.0, 5.5, 6.0, 6.5mm
 - Packaging Quantity: ⊕=1000pcs, ⊕=500pcs, ⊕=250pcs, ⊕= 200pcs, ⊕=100pcs, ⊕= 50pcs, ⊕= 25pcs, ⊕= 10pcs, ⊕= Other

SR-032-5 R-□□□□□

□ Packaging Quantity (S, T, U, V, W, X, Y, Z, Q)

□ Inner Diameter: (50, 55, 60, 65)

□ Color (XX, RD, OR, YL, GN, BL, PU, BK)



NOTE TOL:±0.1

B	2022.12.27. Revised Date	3RD	⊕	Drawing	<i>Chidy</i>	Date	2021/03/06	Part No.	SR-032-5 R
A	An initial version	Unit	m/m	Checked	<i>Ivan</i>	Date	2021/09/13	Description	
Rev	Description	Scale	1:1	Approved	<i>Jason</i>	Date	2021/09/13	Plug Boot	



Plug Master
INDUSTRIAL CO., LTD
www.plugmaster.com.tw