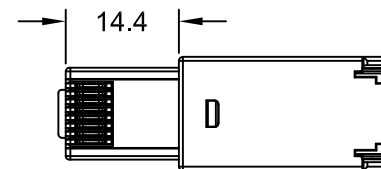
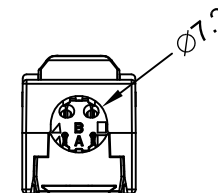
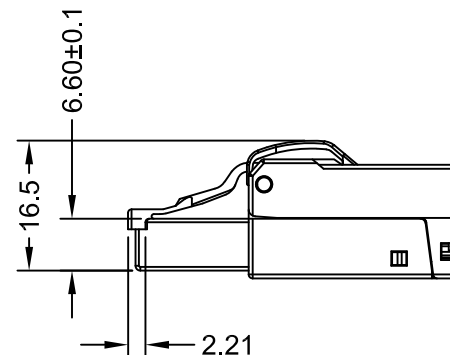
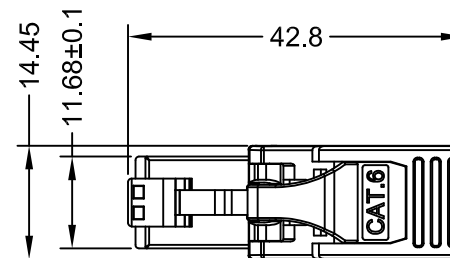
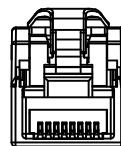


Drawing Number:P8-099
Specification :

SCALE 1/1

Material :

1. Extractor : PC, UL 94V-2, black color.
2. Housing : PC, UL 94V-2, black color.
3. RJ45 plug :
 - 3-1. Housing : PC, UL 94V-2, black color.
 - 3-2. Contacts material : Phosphor bronze with nickel plating.
 - 3-3. Contacts gold plating : Min. 50 micro-inch gold plating on surface contact area.
4. Cover : PC, UL 94V-2, black color.
5. Wire management bar : PC, UL 94V-2, white color.
6. IDC :
 - 6-1. Housing : PC, UL 94V-2, white color.
 - 6-2. Terminals : Copper-alloy with tin plating.
7. Clamp : PC, UL 94V-2, black color.
8. PCB, UL 94V-0.



Features and performance :

- a. Compliant with the IEC60603-7 dimension & reliability requirement.
- b. T568A & T568B wiring.
- c. Life (mating cycles) : min. 750 cycles.
- d. Mating & un-mating force : max. 20N.
- e. Retention strength : 7.7 kg between jack and plug.
- f. Wire conductor range : Solid and stranded, 23-26AWG.
- g. Cable OD range : 4.4-6.8mm.
- h. IDC re-installing cycles : Min. 20 cycles.
- i. Operating temperature : -10°C to +60°C.

Note: The mated jack should compliant with the IEC60603-7 requirement.

NOTE TOL X.XX:±0.2
X.X :±0.3



C	2023/05/26 Revised Date	3RD		Drawing	Chidy	Date	2022/07/18	Part.NO	TL8P8C
A	An initial version	Unit	m/m	Checked	Chris	Date	2022/07/18	Description	
Rev	Description	Scale	1:1	Approved	Jason	Date	2022/07/18	CAT.6 UTP field termination plug	



Plug Master
INDUSTRIAL CO., LTD
www.plugmaster.com.tw