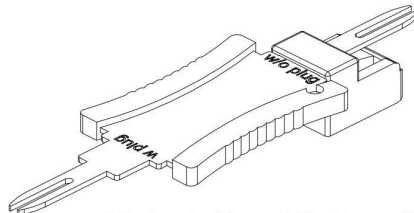
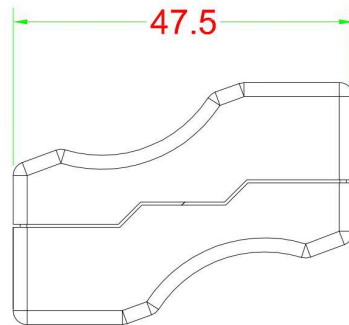
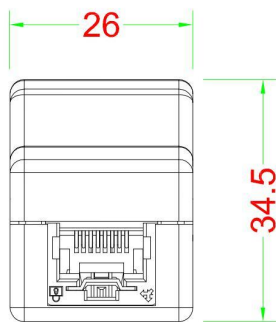
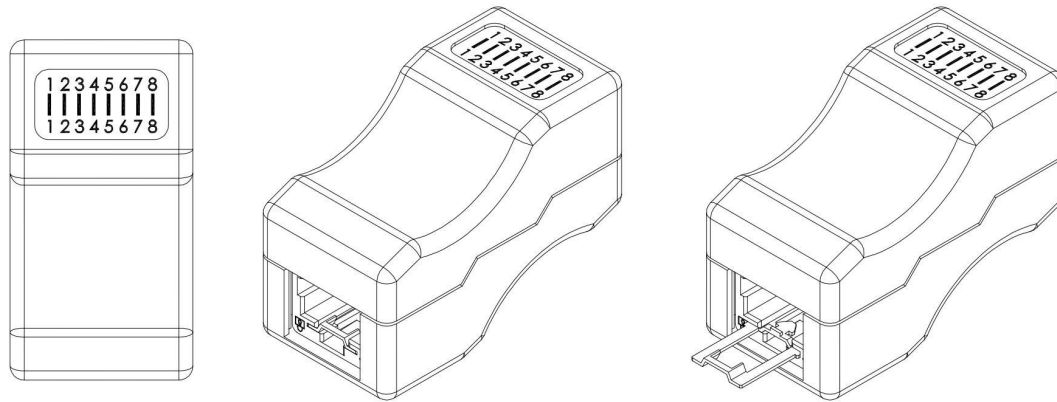


C5e INLINE COUPLER UTP



Unlock Key (Optional)

Performance:

Meets C5e EIA/TIA 568B Standard.

Materials:

Body : Fireproof ABS UL-94V0
 Jack : 8P8C 50 micro inches gold plated
 PCB : FR-4 / UL-94V0
 Lock Bar : Metal (SPCC)
 Spring : SUS
 Spring Base : fireproof UL-94V2-PC
 Heat Shrinkable Tube : PVC
 Key : Metal (SPCC) & PVC Molding


Electrical Specifications:

Insulation Resistance : 500M ohms (min.)
 Contact Resistance : 20m ohms (max.)
 Current Rating : 1.5 Amps .
 DC Resistance : 0.1 ohm (max.)
 Withstanding Voltage : 1000 VAC RMS @ 60Hz / 1 min.

Mechanical Specifications:

Jack Insertion Cycle : Over 2000 Cycles (min.)
 Lock Bar Tension : 15 kgs (min.)

Operation Temperature : -40 °C ~ +70 °C

DRAW NO:		ITEM NO:	IC-PM05L-01
 APPR		CUSTOMER:	
UNIT: m/m	DESIGN	DATE:	
SCALE:	Ref. NO:	TOLERANCE:	· ± 1 · X ± 0.2 · XX ± 0.15



PLUG MASTER INDUSTRIAL CO., LTD