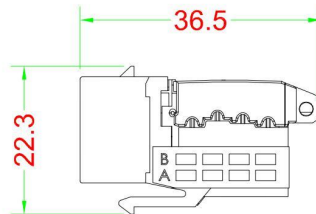
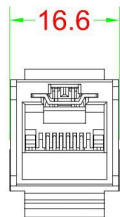
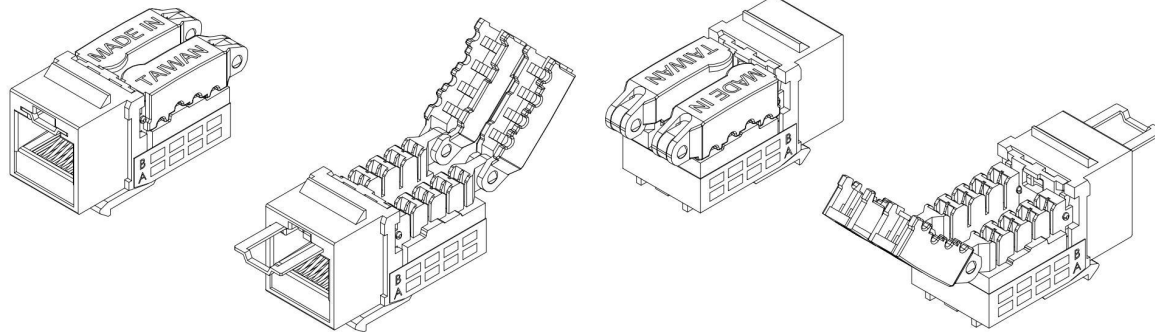


C6A KEYSTONE JACK UTP 50u



Performance:

Meets C6A EIA/TIA 568C Standard.

Materials:

Body : Fireproof ABS UL-94V0
 Jack : 8P8C 50 micro inches gold plated
 PCB : FR-4 / UL-94V0
 IDC Cap : Fireproof PC
 IDC Body : Fireproof ABS UL-94V0
 IDC Pin : Phosphor Bronze & Tinned
 Lock Bar : Metal (SPCC)

IDC Description : For 22-26 AWG.

For 110 or Krone punch-down Tool
 Toolless (when use IDC cap directly)


Electrical Specifications:

Insulation Resistance : 500M ohms (min.)
 Contact Resistance : 20m ohms (max.)
 Current Rating : 1.5 Amps .
 DC Resistance : 0.1 ohms (max.)
 Withstanding Voltage : 1000 VAC RMS @ 60Hz / 1 min.

Mechanical Specifications:

IDC Punch Down Cycle : Over 250 Cycles (min.)
 Jack Insertion Cycle : Over 2000 Cycles (min.)

Operation Temperature : -40 °C ~ +70 °C

DRAW NO:		ITEM NO:	KJ-PM6AL-02
	APPR	CUSTOMER:	
UNIT:	DESIGN	DATE:	
m/m			
SCALE:	Ref. NO:	TOLERANCE:	X ± 1 · X ± 0.2 · XX ± 0.15



PLUG MASTER INDUSTRIAL CO., LTD