

Drawing Number: P10-001-3-□□□□□

1. Housing Material: Polycarbonate, UL Flammability Rating:

①=UL 94V-0, RoHS Compliant.

②=UL 94V-2, RoHS Compliant.

2. Contacts Type: ①=Straight pin fits Stranded wire only.

②=Two prong angled pin fits Solid/Stranded Wires.

③=Three prong pin fits Solid/Stranded Wires.

3. Gold Plating: ①= Fu" (Flash), ②= 2-3u" ( $0.0508 \mu\text{m} \leq A \leq 0.0762 \mu\text{m}$ ),

③= 3u" ( $\geq 0.0762 \mu\text{m}$ ), ④= 6u" ( $\geq 0.1524 \mu\text{m}$ ),

⑤= 15u" ( $\geq 0.381 \mu\text{m}$ ), ⑥= 30u" ( $\geq 0.762 \mu\text{m}$ ),

⑦= 50u" ( $\geq 1.27 \mu\text{m}$ ).

4. Packaging Quantity: ①=1000pcs, ②=500pcs, ③=250pcs, ④=200pcs

⑤= 100pcs, ⑥= 50pcs, ⑦= 25pcs, ⑧= 10pcs

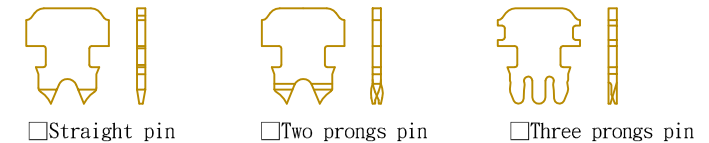
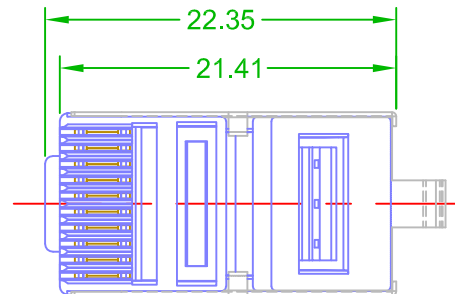
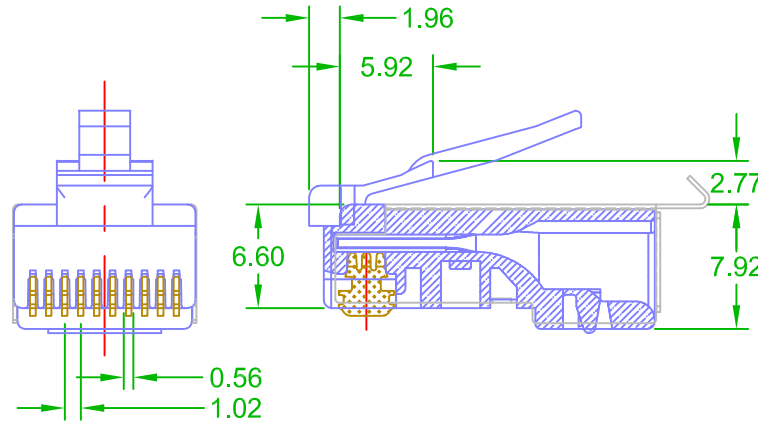
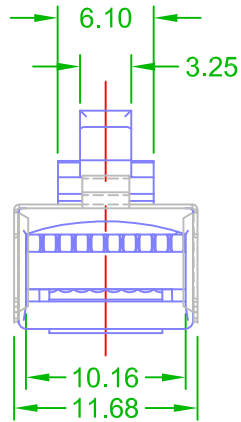
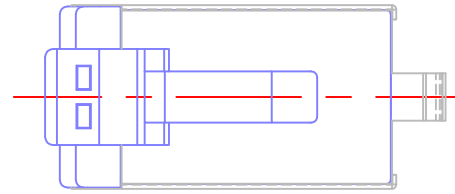
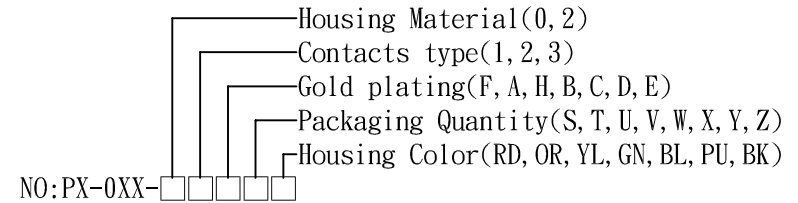
⑨= Other

5. Housing Color: Transparent, other colors are available.

(Red=RD, Orange=OR, Yellow=YL, Green=GN, Blue=BL, Purple=PU, Black=BK)

6. Shielded Material: Brass with nickel plated, or Non-Shielded.

7. Operating Temperature: -10°C to 60°C.



NOTE TOL: ±0.1

|     |                                 |       |     |          |       |      |            |                      |          |
|-----|---------------------------------|-------|-----|----------|-------|------|------------|----------------------|----------|
| B   | 2018.09.21. Rescheduling coding | 3RD   |     | Drawing  | Chidy | Date | 2004/11/11 | UL Code              | 10P10C-S |
| A   | An initial version              | Unit  | m/m | Checked  | Chris | Date | 2004/11/11 | Description          |          |
| Rev | Description                     | Scale | 1:1 | Approved | Jason | Date | 2004/11/11 | R Shielded with hook |          |



**Plug Master**  
INDUSTRIAL CO., LTD  
www.plugmaster.com.tw