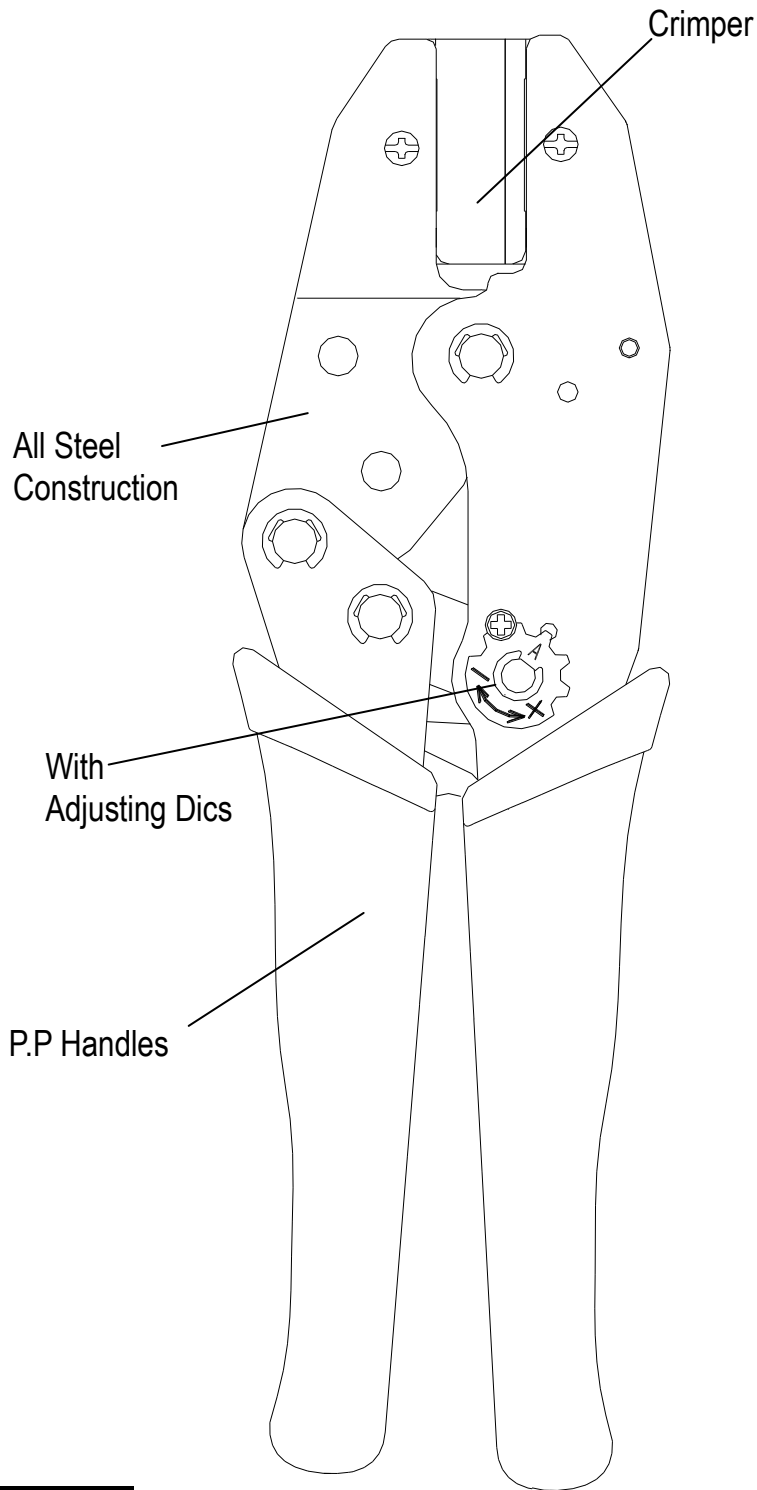




乾羅科技股份有限公司
Plug Master Industrial Co.,Ltd

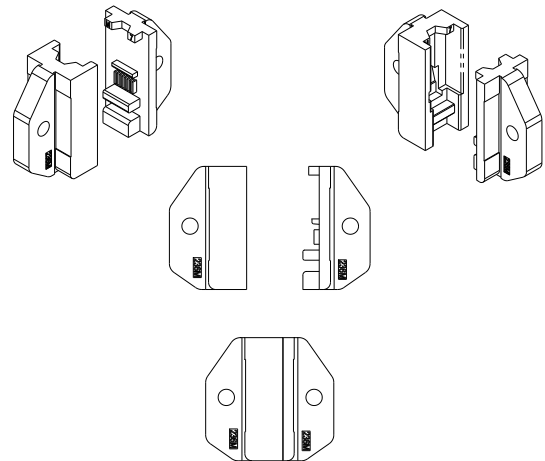
pmcplug@plugmaster.com.tw www.plugmaster.com.tw

PM-236M5 Ratchet Crimping Tool



Specification :

- * **Item No** : PM-236M5
- * **Function** :
For Molex 8P8C/RJ45 plug & cable OD ca.5.2 ψ
- * **Length** : 8.7" (220 \pm 3mm)
- * **Weight** : 541g
- * **Material** : Middle Carbon Steel And Harden
Crimper-made of off wax
- * **Frame** : Black Oxide Finished.



01/31/12