

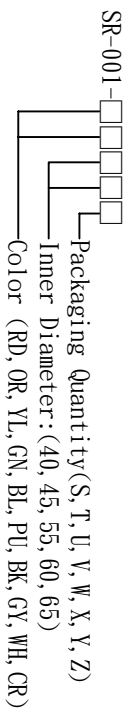
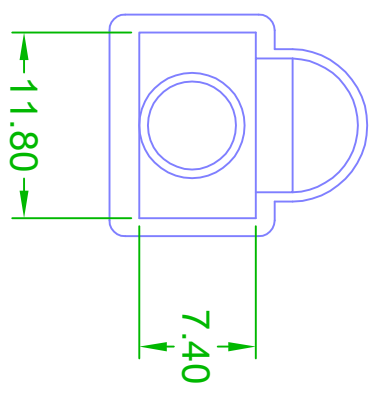
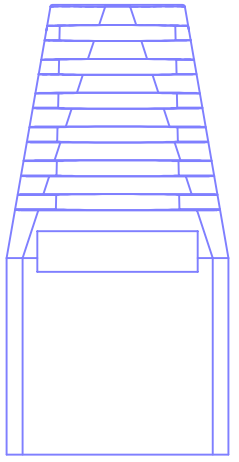
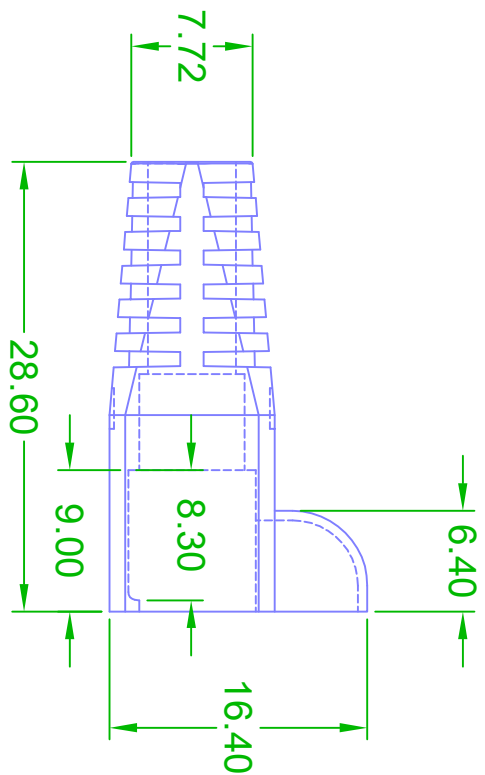
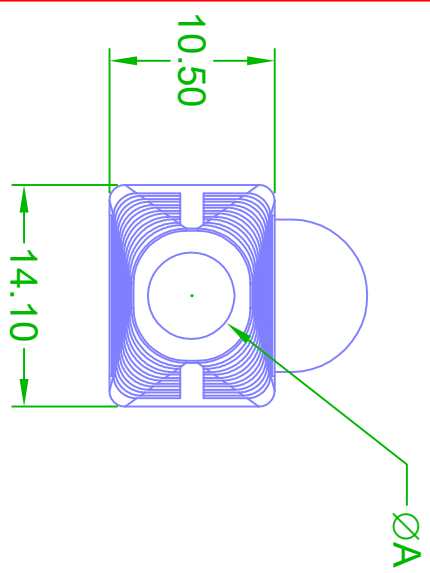
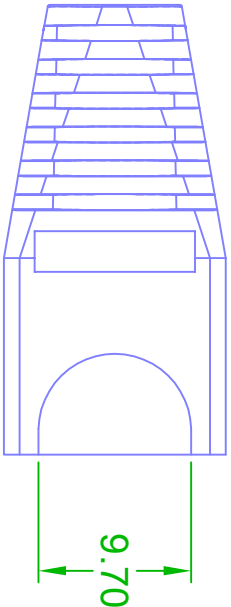
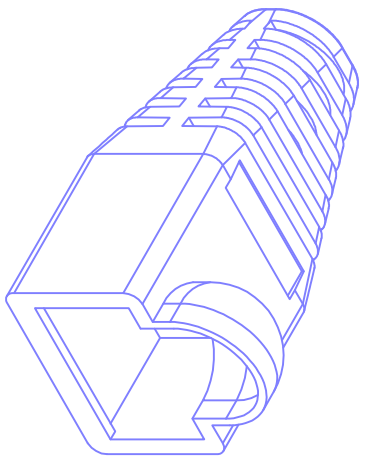
PMC Drawing Number: SR-001-□□□□□□

1. Material: Polycarbonate, UL94V-2, DEHP, DINP is less than 0.1

2. Color Available: RD=Red, OR=Orange, YL=Yellow, GN=Green, BL=Blue, PU=Purple, BK=Black

3. Inner Diameter Available : 5.5mm=55, 6.0mm=60, 6.5mm=65

4. Packaging Quantity: ⊕=1000pcs, ⊕=500pcs, ⊕=250pcs, ⊕=200pcs, ⊕=100pcs, ⊕=50pcs, ⊕=25pcs, ⊕=10pcs



Material: 55P PVC
NOTE TOL: ±0.1

B	2017.11.09. Rescheduling coding	3RD	3RD	2013/10/23	Bludy	2013/10/23	Part.NO	SR-001
A	An initial version	Unit	m/m	2013/10/23	Chuis	2013/10/23	Description	Plug Boot
Rev	Description	Scale	1:1	2013/10/23	Jason	2013/10/23		
		Drawing	Checked					
		Approved						



Plug Master
INDUSTRIAL CO., LTD
www.plugmaster.com.tw