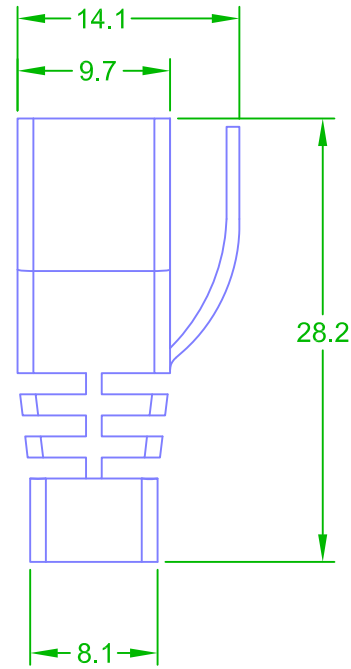
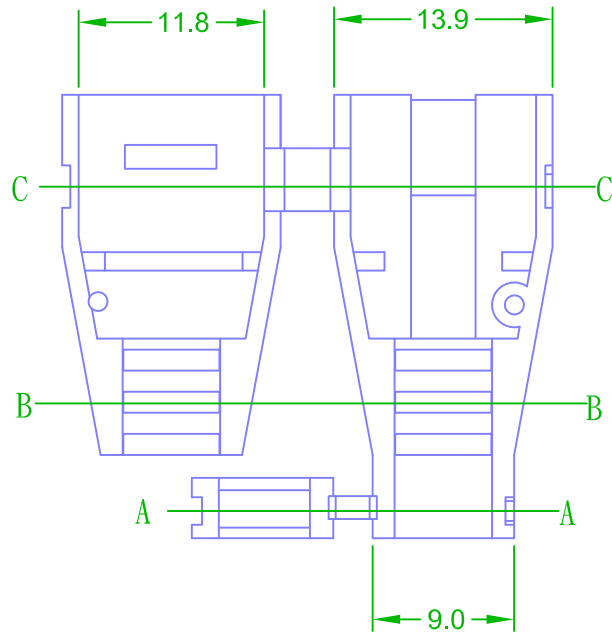
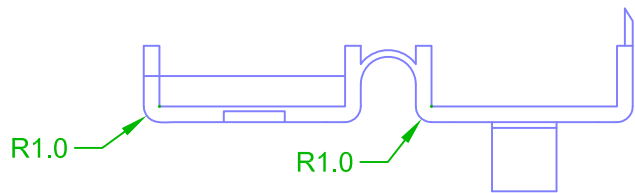


PMC Drawing Number:SR-002-□□□

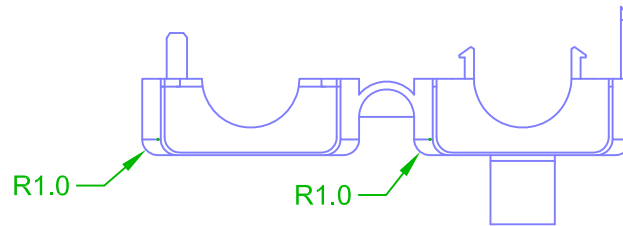
1. Material: PP.
2. Color Available: RD=Red, YL=Yellow, GN=Green, BL=Blue, BK=Black, GY=Gray, WH=White
3. Inner Diameter Available :6.0mm
4. Packaging Quantity: ⊙=1000pcs, ⊕=500pcs, ⊗=250pcs, ⊖= 200pcs, ⊘=100pcs, ⊙= 50pcs, ⊚= 25pcs, ⊛= 10pcs



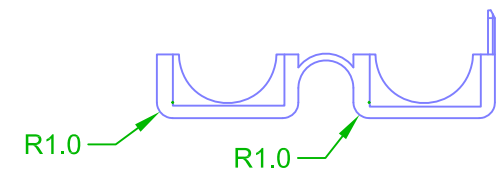
SR-002-□□□
 Packaging Quantity(S, T, U, V, W, X, Y, Z)
 Color (RD, YL, GN, BL, BK, GY, WH)



C-C



B-B



A-A

NOTE TOL:±0.1

B	2017.11.02. Rescheduling coding	3RD		Drawing	<i>Chidy</i>	Date	2014/01/24	Part.NO	SR-002
A	An initial version	Unit	m/m	Checked	<i>Chris</i>	Date	2014/01/24	Description	
Rev	Description	Scale	1:1	Approved	<i>Jason</i>	Date	2014/01/24	Snap-on RJ45 Cable Boots	



Plug Master
 INDUSTRIAL CO., LTD
 www.plugmaster.com.tw