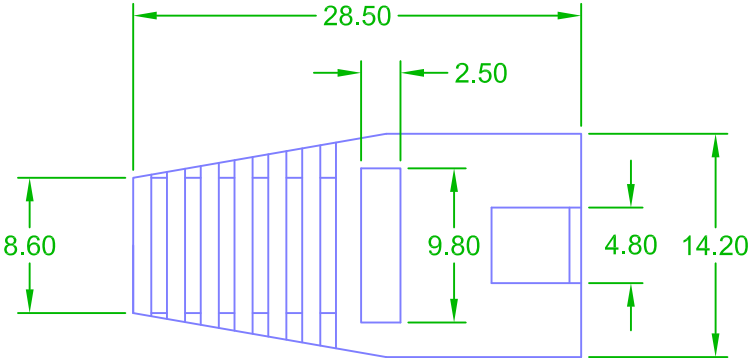
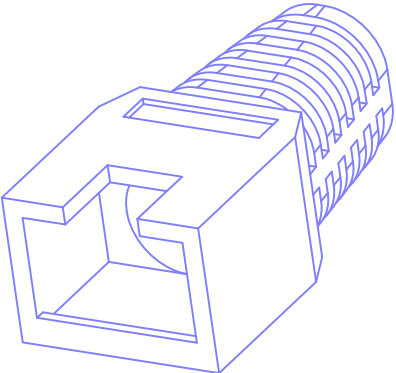
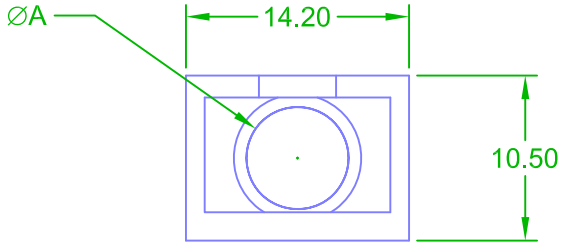
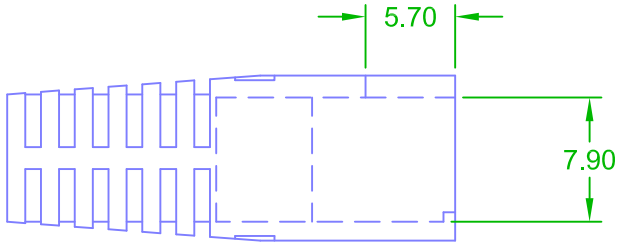
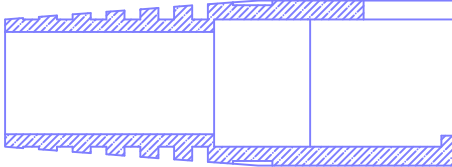


PMC Drawing Number:SR-006-□□□□□

- 1. Material:60P PVC.
- 2. Color Available: RD=Red, OR=Orange, YL=Yellow, GN=Green, BL=Blue, PU=Purple, BK=Black, GY=Gray, WH=White
- 3. Inner Diameter Available :5.0mm=50, 5.5mm=55, 6.0mm=60, 6.5mm=65
- 4. Packaging Quantity: ⊙=1000pcs, ⊕=500pcs, ⊖=250pcs, ⊗= 200pcs, ⊘=100pcs, ⊙= 50pcs, ⊚= 25pcs, ⊛= 10pcs



SR-006-□□□□□
 □□□□□ Packaging Quantity (S, T, U, V, W, X, Y, Z)
 □□□□□ Inner Diameter: (50, 55, 60, 65)
 □□□□□ Color (RD, OR, YL, GN, BL, PU, BK, GY, WH)



NOTE TOL:±0.15

B	2018.01.25. Rescheduling coding	3RD		Drawing	<i>Chidy</i>	Date	2007/09/19
A	An initial version	Unit	m/m	Checked	<i>Chris</i>	Date	2007/09/19
Rev	Description	Scale	1:1	Approved	<i>Jason</i>	Date	2007/09/19

Part.NO	SR-006
Description	
Plug Boot	



Plug Master
 INDUSTRIAL CO., LTD
 www.plugmaster.com.tw