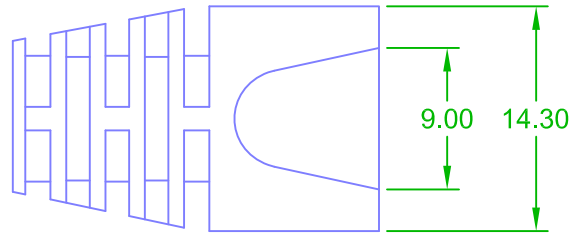
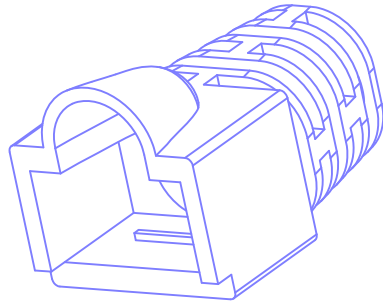
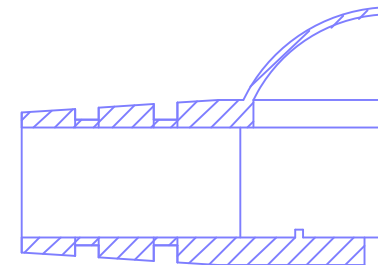
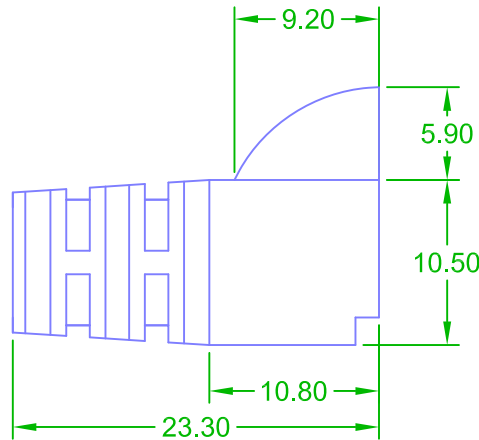
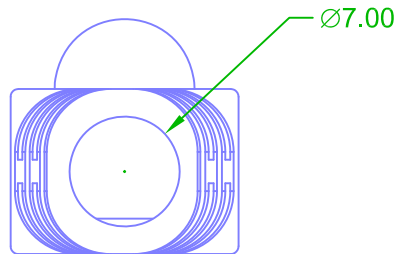


PMC Drawing Number:SR-007-□□□

1. Material:60P PVC.
2. Color Available: RD=Red, OR=Orange, YL=Yellow, GN=Green, BL=Blue, PU=Purple, BK=Black, GY=Gray, WH=White
3. Packaging Quantity: ⊙=1000pcs, ⊕=500pcs, ⊗=250pcs, ⊖= 200pcs, ⊘=100pcs, ⊗= 50pcs, ⊙= 25pcs, ⊚= 10pcs



SR-007-□□□  
 □□□ Packaging Quantity (S, T, U, V, W, X, Y, Z)  
 □□□ Color (RD, OR, YL, GN, BL, PU, BK, GY, WH)



NOTE TOL:±0.15

B	2018.01.25. Rescheduling coding	3RD		Drawing	<i>Chidy</i>	Date	2007/09/19	Part.NO	SR-007
A	An initial version	Unit	m/m	Checked	<i>Chris</i>	Date	2007/09/19	Description	
Rev	Description	Scale	1:1	Approved	<i>Jason</i>	Date	2007/09/19	Plug Boot	



**Plug Master**  
 INDUSTRIAL CO., LTD  
 www.plugmaster.com.tw