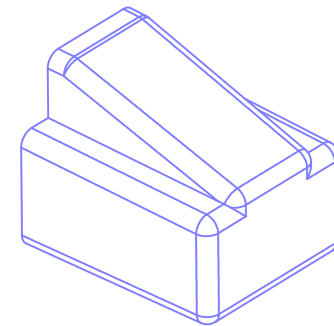
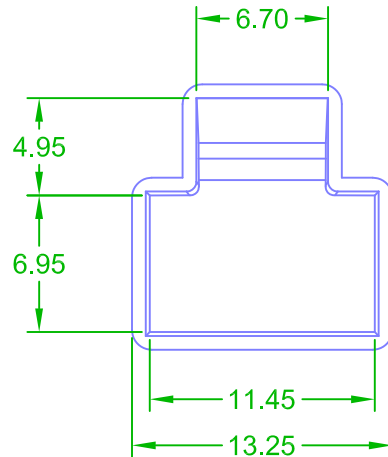
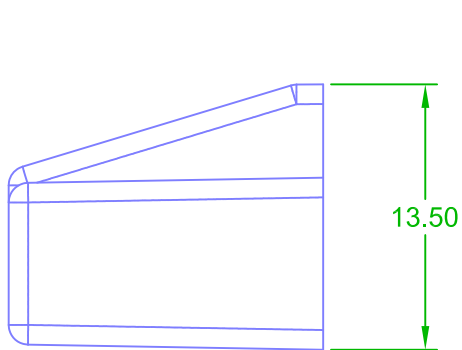
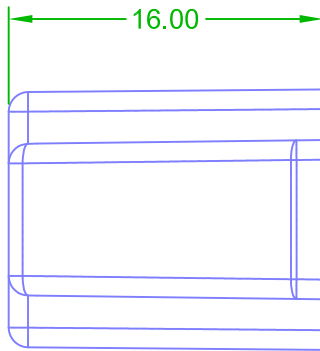


PMC Drawing Number:SR-011□□□

1. Material: HDPE.
2. Color Available: RD=Red, OR=Orange, YL=Yellow, GN=Green, BL=Blue, PU=Purple, BK=Black, GY=Gray, WH=White, CR=Clear
3. Packaging Quantity: ⊕=1000pcs, ⊕=500pcs, ⊕=250pcs, ⊕= 200pcs, ⊕=100pcs, ⊕= 50pcs, ⊕= 25pcs, ⊕= 10pcs

SR-011□□□  
 └── Packaging Quantity(S, T, U, V, W, X, Y, Z)  
 └── Color (RD, OR, YL, GN, BL, PU, BK, GY, WH, CR)



NOTE TOL:±0.1

C	2020.08.19. Revised Date	3RD	⊕	Drawing	<i>Chidy</i>	Date	2017/02/15	Part No.	SR-011
A	An initial version	Unit	m/m	Checked	<i>Chris</i>	Date	2017/02/15	Description	
Rev	Description	Scale	1:1	Approved	<i>Jason</i>	Date	2017/02/15	Plug Protect Cover	



**Plug Master**  
 INDUSTRIAL CO.,LTD  
 www.plugmaster.com.tw