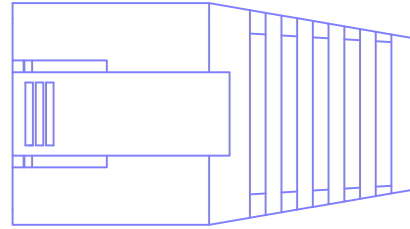
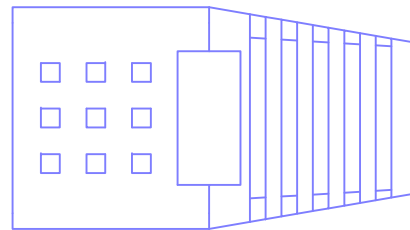
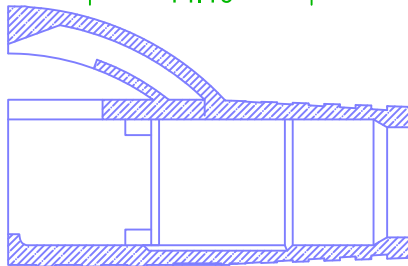
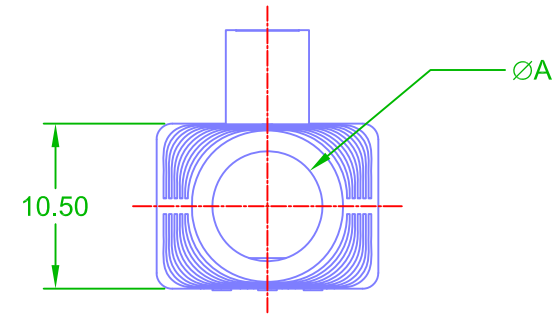
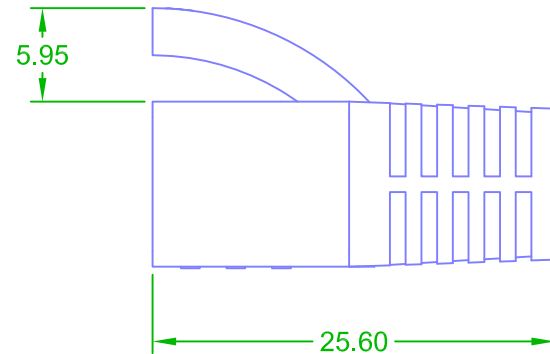
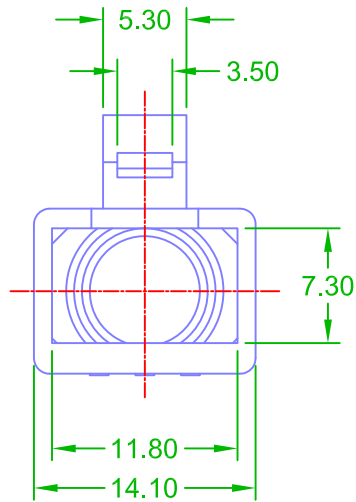


PMC Drawing Number:SR-014-□□□□□


1. Material: 55P PVC, UL94V-2, DEHP, DINP is less than 0.1%.
2. Color Available: RD=Red, OR=Orange, YL=Yellow, GN=Green, BL=Blue, PU=Purple, BK=Black, GY=Gray, WH=White, CR=Clear
3. Inner Diameter Available : 7.0mm=70, 7.5mm=75, 8.0mm=80
4. Packaging Quantity: ⊕=1000pcs, ⊕=500pcs, ⊕=250pcs, ⊕= 200pcs, ⊕=100pcs, ⊕= 50pcs, ⊕= 25pcs, ⊕= 10pcs



SR-014-□□□□□
 Packaging Quantity(S, T, U, V, W, X, Y, Z)
 Inner Diameter:(70, 75, 80)
 Color (RD, OR, YL, GN, BL, PU, BK, GY, WH, CR)



NOTE TOL:±0.15

| | | | | | | | | | | |
|-----|---------------------------------|-------|-----|----------|--------------|------|------------|-------------|--------|--|
| B | 2017.07.26. Rescheduling coding | 3RD | ⊕ | Drawing | <i>Chidy</i> | Date | 2016/02/17 | Part.NO | SR-014 |  Plug Master INDUSTRIAL CO., LTD www.plugmaster.com.tw |
| A | An initial version | Unit | m/m | Checked | <i>Chris</i> | Date | 2016/02/17 | Description | | |
| Rev | Description | Scale | 1:1 | Approved | <i>Jason</i> | Date | 2016/02/17 | Plug Boot | | |