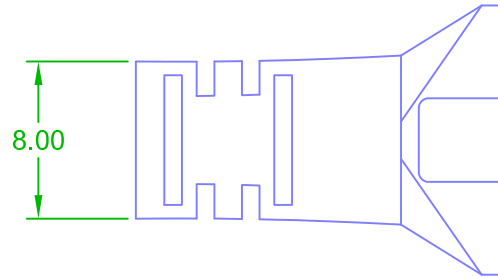
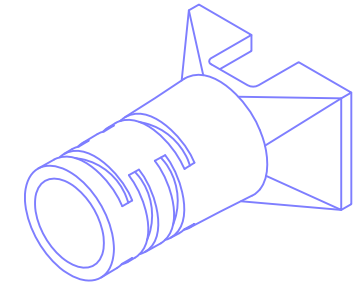
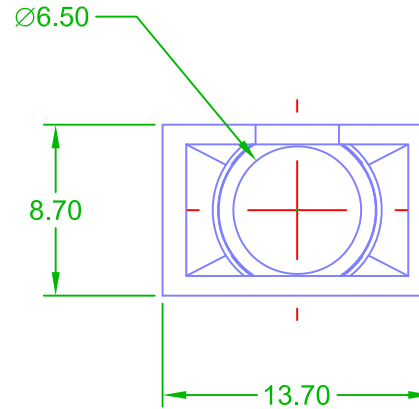
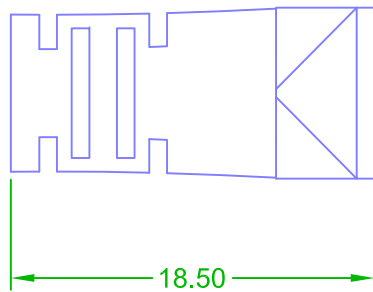


PMC Drawing Number:SR-035-□


1. Material:45P PVC.
2. Color Available: BK=Black
3. Inner Diameter Available :6.5mm=65
4. Packaging Quantity: Ⓢ=1000pcs, Ⓣ=500pcs, Ⓤ=250pcs,
 Ⓥ= 200pcs, Ⓦ=100pcs, Ⓧ= 50pcs,
 Ⓨ= 25pcs, Ⓩ= 10pcs



SR-035-□
 └─ Packaging Quantity(S, T, U, V, W, X, Y, Z)



NOTE TOL:±0.15

B	2018.09.03. Rescheduling coding	3RD	⊕	Drawing	<i>Chidy</i>	Date	2015/11/16	Part.NO	SR-035	 Plug Master INDUSTRIAL CO.,LTD www.plugmaster.com.tw
A	An initial version	Unit	m/m	Checked	<i>Chris</i>	Date	2015/11/16	Description		
Rev	Description	Scale	1:1	Approved	<i>Jason</i>	Date	2015/11/16	Plug Boot		